

# MATCHUP

HI-TECH BRAKE SOLUTIONS MADE IN EUROPE



GO AHEAD

## SUZUKI GSX-S 950

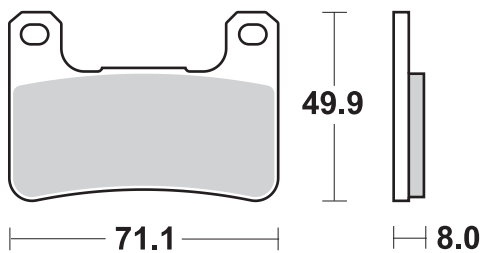


			RECOMMENDED	
<b>SUZUKI</b>				
GSX-S	950	22 - 22	806 SP*	657 LS

\* = 2 sets required / 2 jeux pour l'Avant.

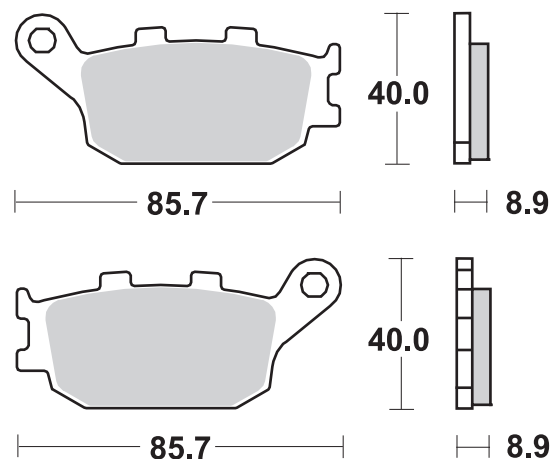
Available compounds

**SBS 806 HS • SP**



Available compounds

**SBS 657 HF • LS**



@sbsbrakes | sbsbrakes.com | #GoAhead